



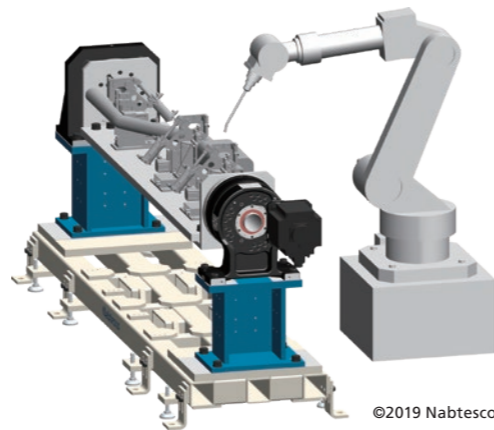


### Features

- **A gearhead utilizing the industrial robot industry-proven Precision Reduction Gear RV™**  
High accuracy, rigidity, and reliability → Improved welding quality
- **No centering alignment necessary**  
Faster setup and assembly time
- **Includes all major parts needed for a BBQ positioner**  
One stop shopping for all major parts simplifies and streamlines procurement  
Reduction of time needed for design and production
- **Support for all major servo motor manufacturers**  
Compatible for collaborative work using many different robots
- **High-rigidity, shock resistant frame**  
Easy transportation and handling
- **Parts are also sold separately**  
Purchase only the parts that you require

### Application Example

Forklift brackets stored inside base frame

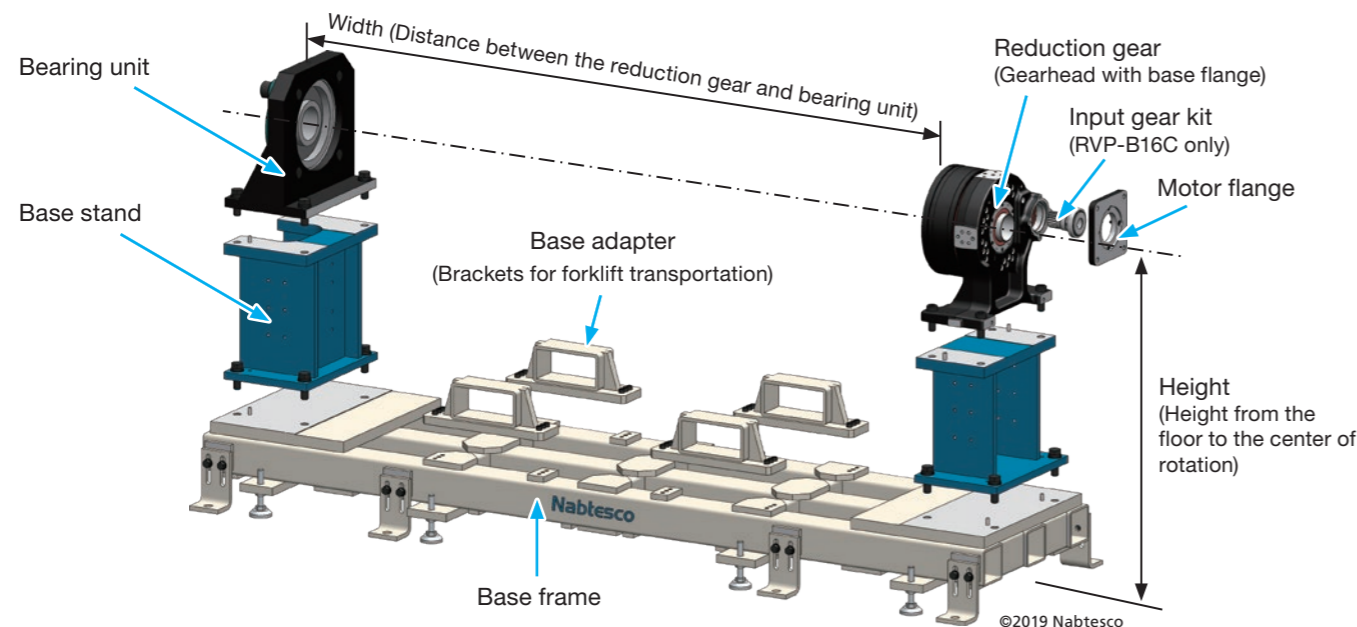


©2019 Nabtesco

### Specification Table

Model	RVP-B10C	RVP-B16E	RVP-B16C
Maximum center of gravity height	Maximum allowable load 1,600 kg	-	250 mm
	Maximum allowable load 1,000 kg	250 mm	400 mm
	Maximum allowable load 700 kg	340 mm	570 mm
	Maximum allowable load 500 kg	500 mm	800 mm
	Maximum allowable load 300 kg	830 mm	1,180 mm
Hollow shaft diameter (Reduction gear)	φ61 mm		φ70 mm
Hollow shaft diameter (Pillow bearing)	φ90 mm		
Allowable startup/stop torque	2,450 N-m	3,920 N-m	3,675 N-m
Moment of inertia I (I=GD <sup>2</sup> /4) motor input conversion	8.23 × 10 <sup>-4</sup> to 2.16 × 10 <sup>-3</sup> kg-m <sup>2</sup>	8.94 × 10 <sup>-4</sup> to 6.68 × 10 <sup>-3</sup> kg-m <sup>2</sup>	2.72 × 10 <sup>-4</sup> to 6.45 × 10 <sup>-4</sup> kg-m <sup>2</sup>
Backlash/ Lost motion	RDS, RDP RDR	1 arc.min. 1.5 arc.min.	
Weight*1	Frame length 2,500 mm	655 to 662 kg	661 to 687 kg
	Frame length 2,000 mm	618 to 625 kg	624 to 650 kg
Positioner ratio	100.5	210	66
	150	258	81
	-	-	101
Allowable output speed (reference)	20 rpm (2 sec/180 deg)		51 rpm (0.78 sec/180 deg)

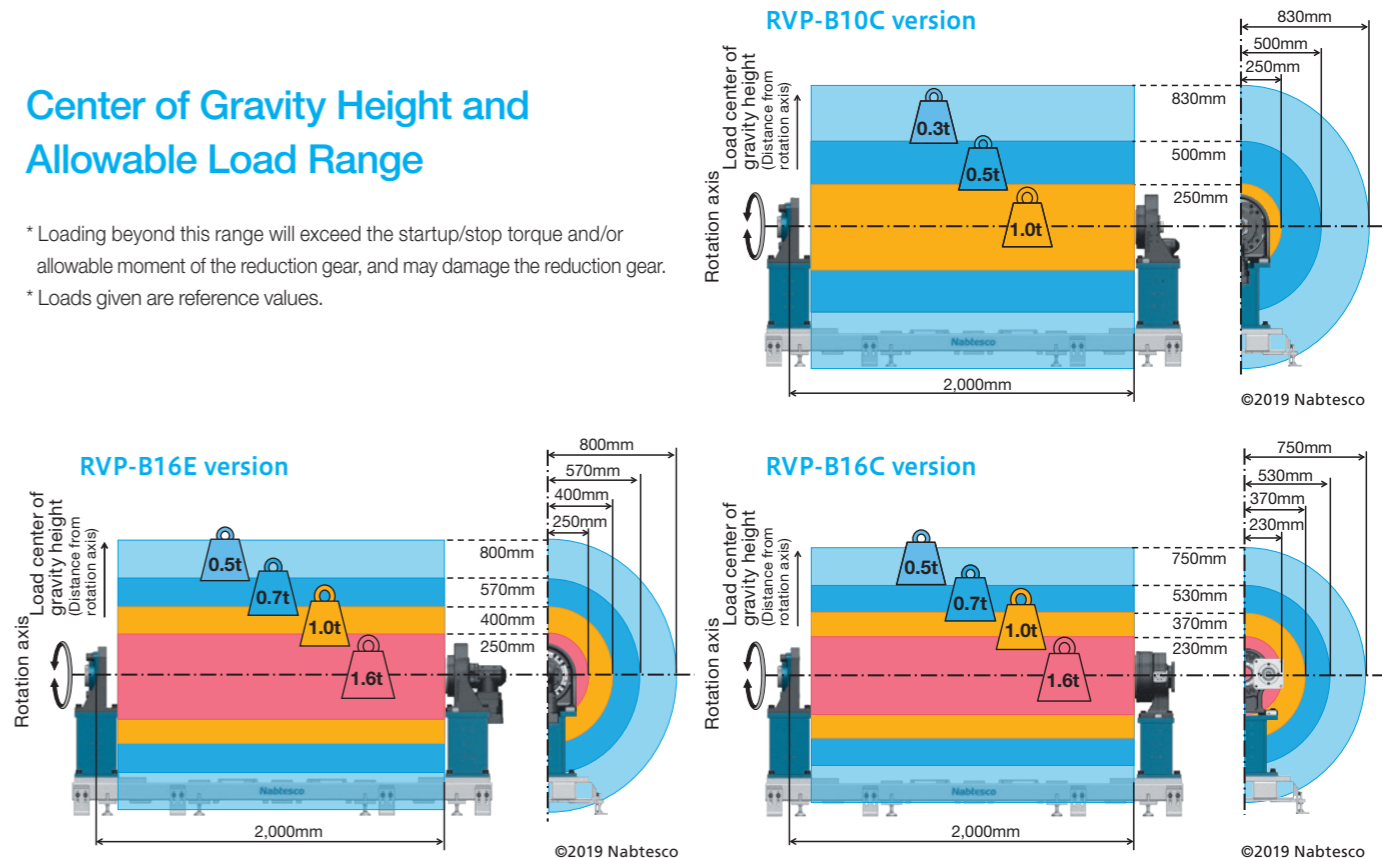
\*1 This weight does not include the motor flange.



©2019 Nabtesco

### Center of Gravity Height and Allowable Load Range

\* Loading beyond this range will exceed the startup/stop torque and/or allowable moment of the reduction gear, and may damage the reduction gear.  
\* Loads given are reference values.



We also offer customized solutions to meet customer requests (user specifications with modified widths, heights, etc.).  
Please contact us for more information.