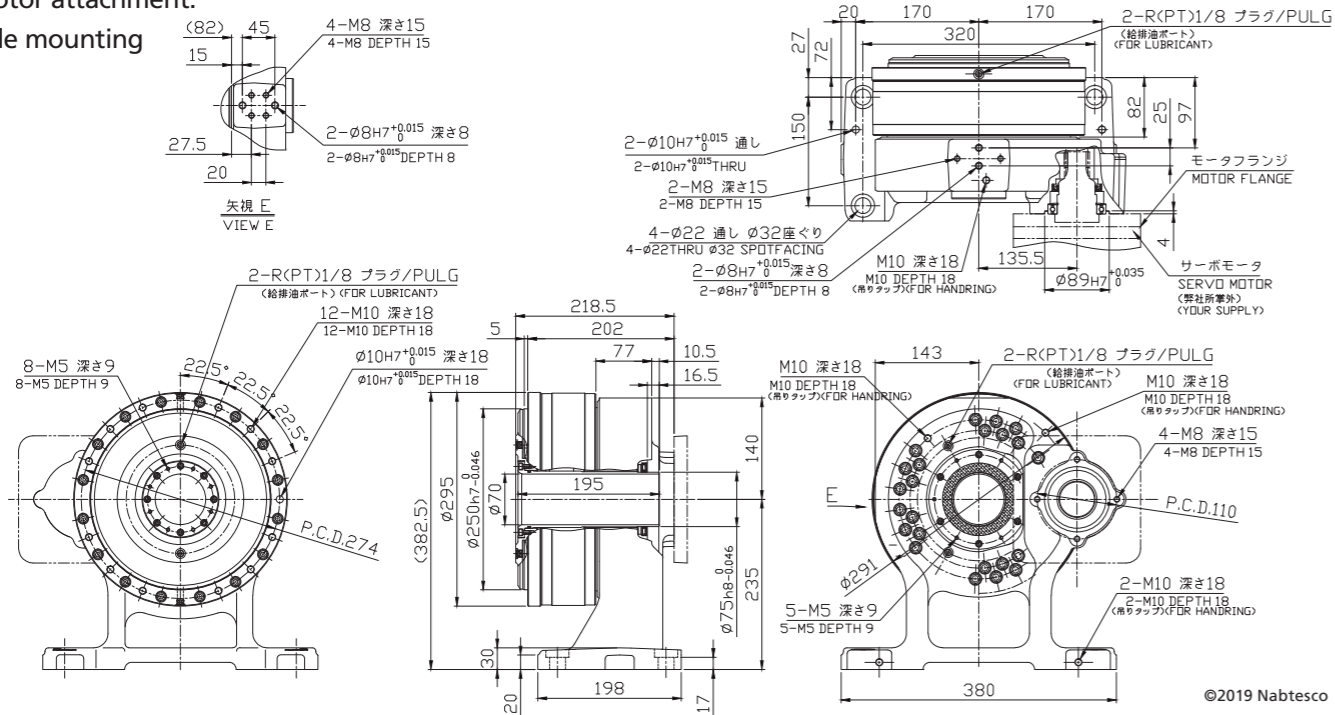


External dimensions

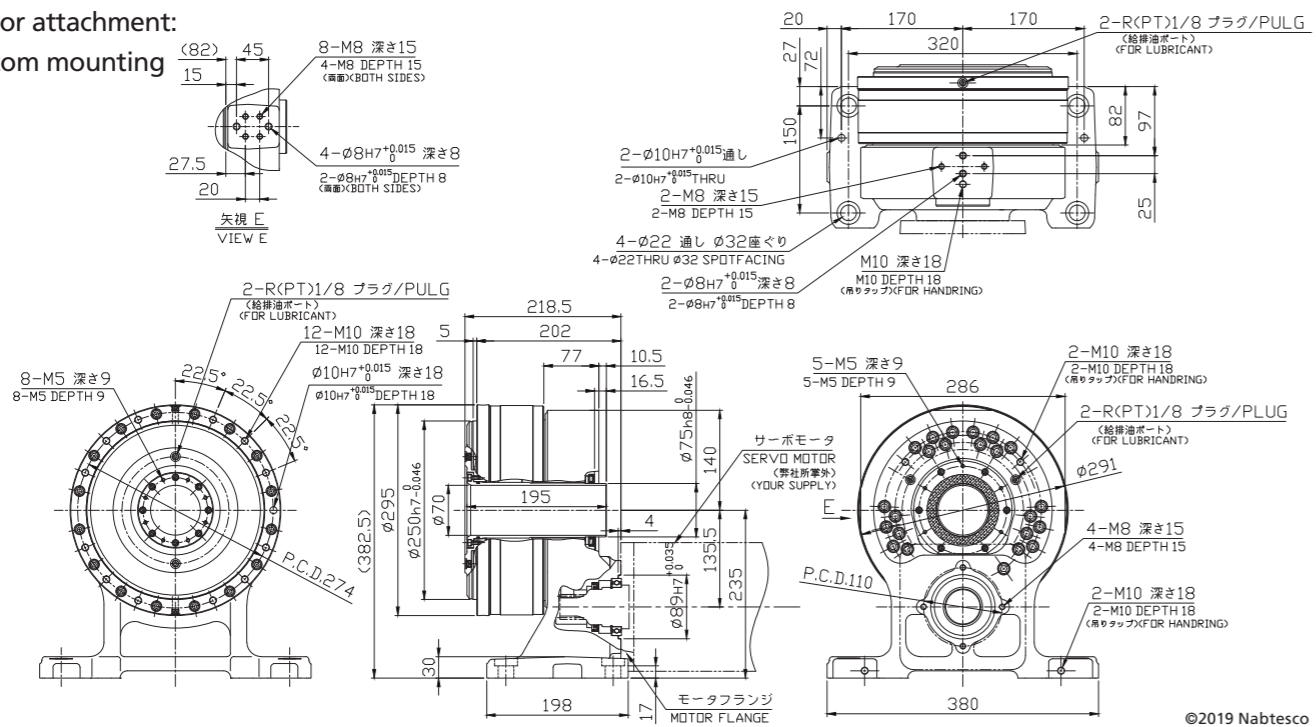
Motor attachment:

Side mounting



Motor attachment:

Bottom mounting



Nabtesco
Nabtesco Corporation

<https://precision.nabtesco.com/>



- Nabtesco, RV and RVP are registered trademarks or trademarks of Nabtesco Corporation.
- Specifications are subject to change without notice.
- Unauthorized reprinting, reproduction, copying, or translation of this catalog in whole or in part is strictly prohibited.

©2019 Nabtesco Corporation All rights reserved

CAT.190520-Rev.002 (Issued on March 1, 2022)

Europe and Africa

Nabtesco Precision Europe GmbH (Düsseldorf, Germany)
TEL: +49-211-173790 FAX: +49-211-364677 E-MAIL: info@nabtesco.de

North and South America

Nabtesco Motion Control Inc. (MI, USA)
TEL: +1-248-553-3020 FAX: +1-248-553-3070 E-MAIL: engineer@nabtescomotioncontrol.com

India

Nabtesco India Private Limited (Bangalore, India)
TEL: +91-80-4123-4901 FAX: +91-80-4123-4903

Asia and others

Nabtesco Corporation (Japan)
Nagoya Sales Office
TEL: +81-52-582-2981 FAX: +81-52-582-2987

Customer Support Center
TEL: +81-59-237-4672 FAX: +81-59-237-4697

E-MAIL: P_Information@nabtesco.com



RV[®]

Precision Reduction Gear RV[™]

Gearhead equipped with Base Flange

RH-155C Foot Type



©2019 Nabtesco

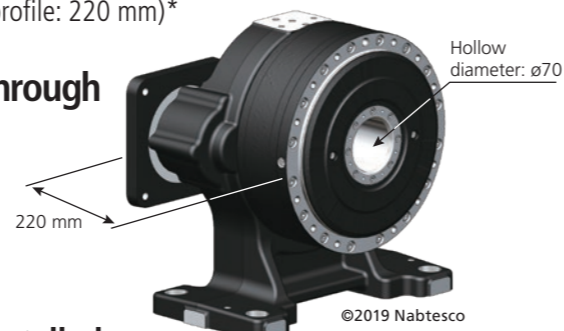
New Slim Profile, Hollow Shaft (ø70) Gearhead
enables compact positioner design,
pre-filled with lubricant, and has an integrated
base flange for easy installation.

Nabtesco[®]

RH-155C Foot Type

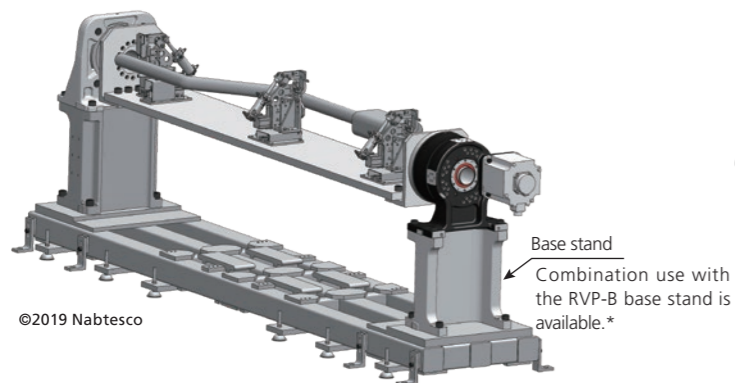
Features

- **Flat structure reduces the gearhead length** (Gearhead profile: 220 mm)*
* The length may vary according to the servomotor used
- **Hollow shaft type** (hollow diameter: $\phi 70$) allows wiring to pass through
- **Integrated base flange structure makes it easy to attach to any system**
- **Either side or bottom mounting can be selected for the motor attachment position**
- **External shaft motors from all robot manufactures can be installed**
(Compatible with any motor axis type and mounting P.C.D.)
- **Gearhead is pre-lubricated with grease**
(Pre-filling with a proper amount of grease simplifies motor assembly, LB00 RV grease is used)
- **Brackets and other peripheral components can be attached**
(Pin and service tap holes are provided on the side and top)
- **Grease can be replaced easily**
(Grease supply/discharge ports are provided on the front, side, and back)

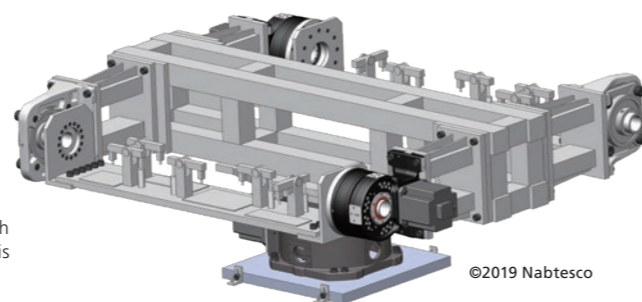


Application

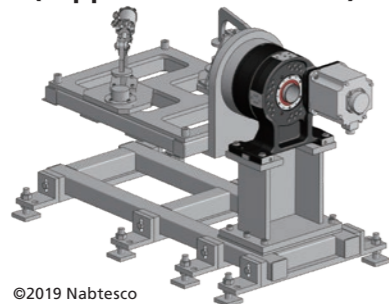
BBQ positioner (supported on both ends)



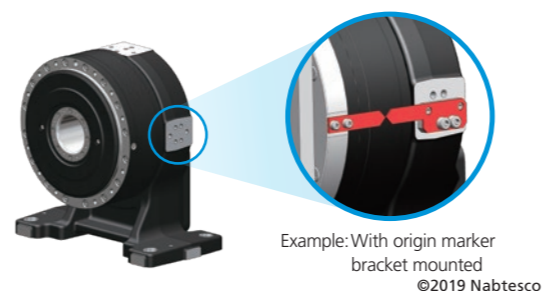
Turntable + BBQ positioner



BBQ positioner (supported on one end)



Using service tap holes

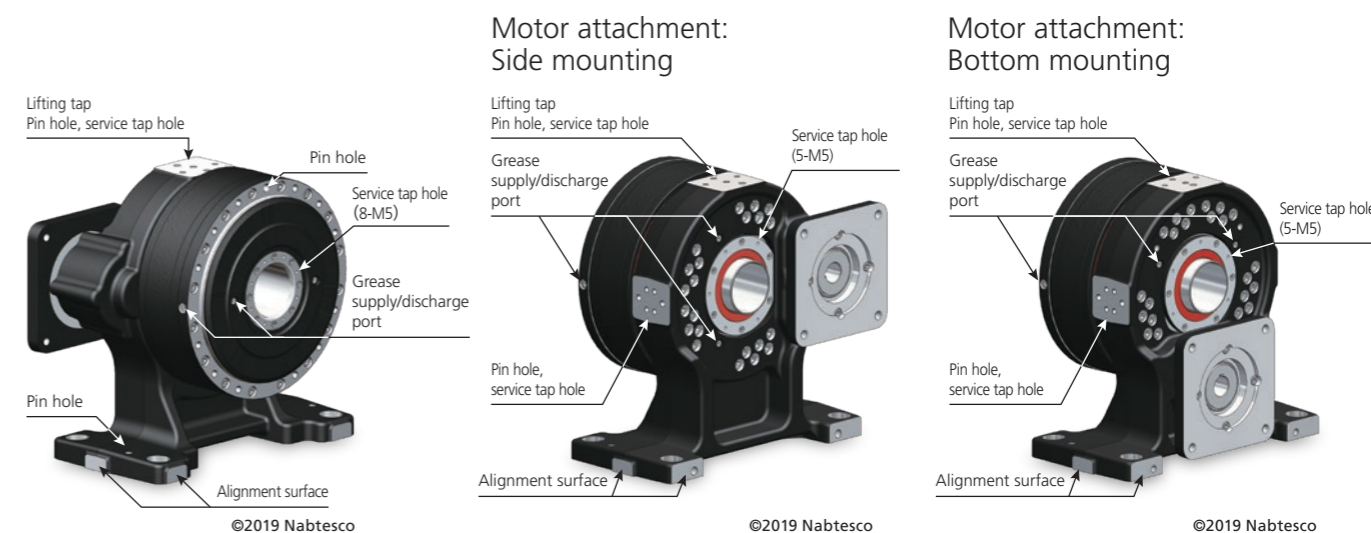
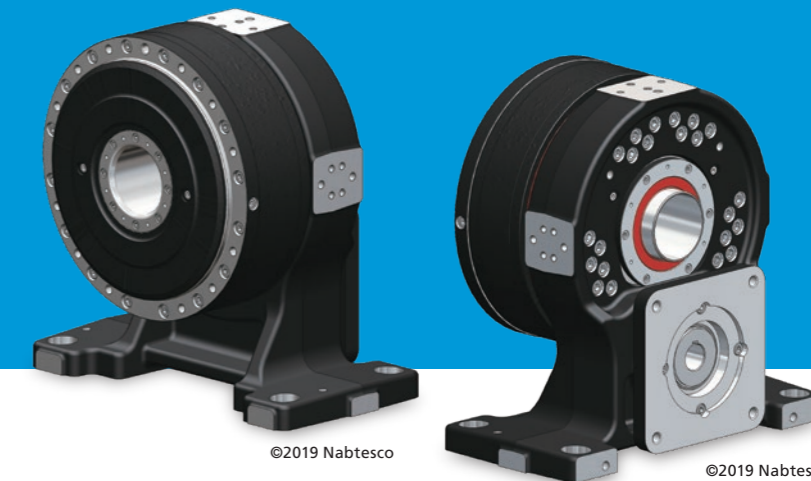


* RVP-B: Nabtesco BBQ positioner unit (gearhead, bearing unit, and base stand)

Specification List

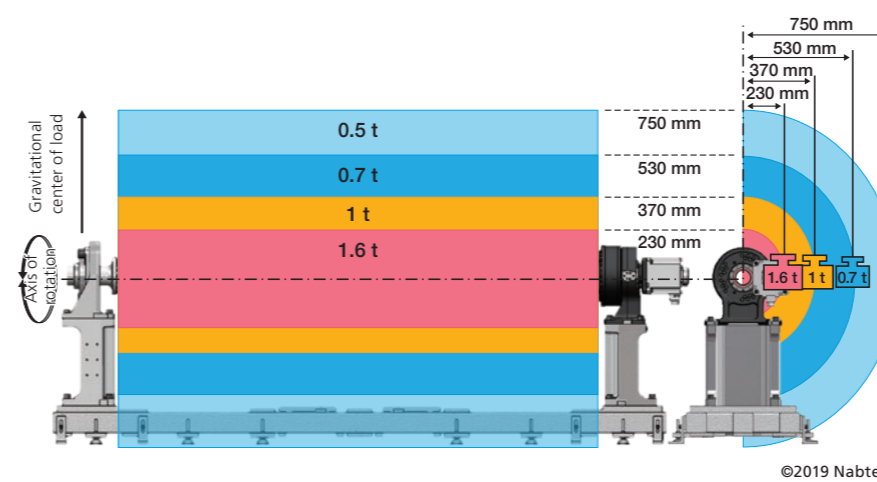
Model	RH-155C
Rated torque	1,470 N-m
Allowable acceleration/deceleration torque	3,675 N-m
Momentary maximum allowable torque	7,350 N-m
Allowable output speed (forward/reverse switching)	30 rpm
Allowable output speed (forward/reverse switching, duty: 35%)	51 rpm

Allowable moment	4,000 N-m
Momentary maximum allowable moment	8,000 N-m
Backlash	Max 1 arc.min
Reduction ratio	78.3, 104.4, 120.46
Operating range	Endless
Weight (without motor flange, input gear)	90 kg

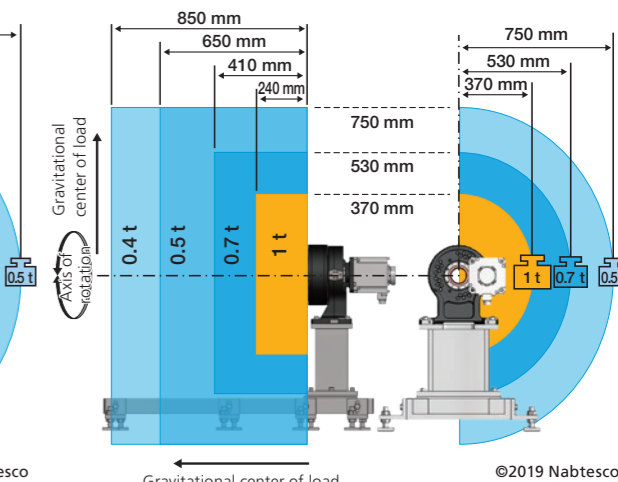


Carrying Capacity Based on Gravitational Center of Load

Supported on both ends



Supported on one end



* The carrying capacities shown in this brochure are reference values only.