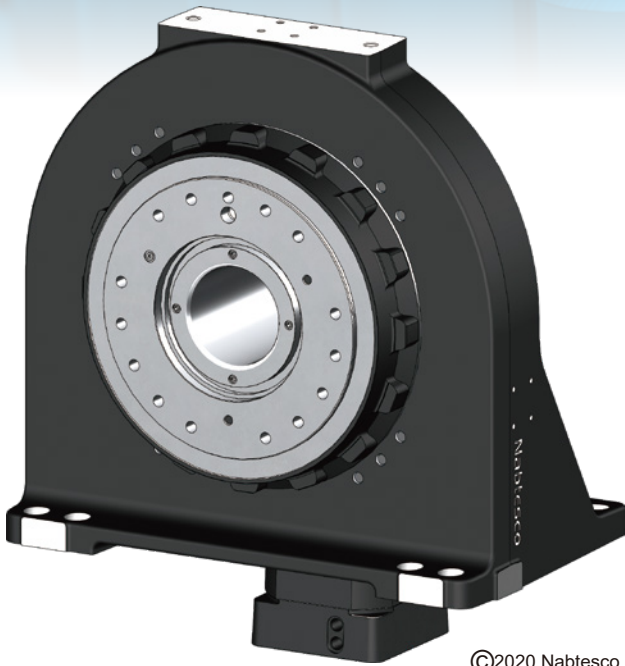




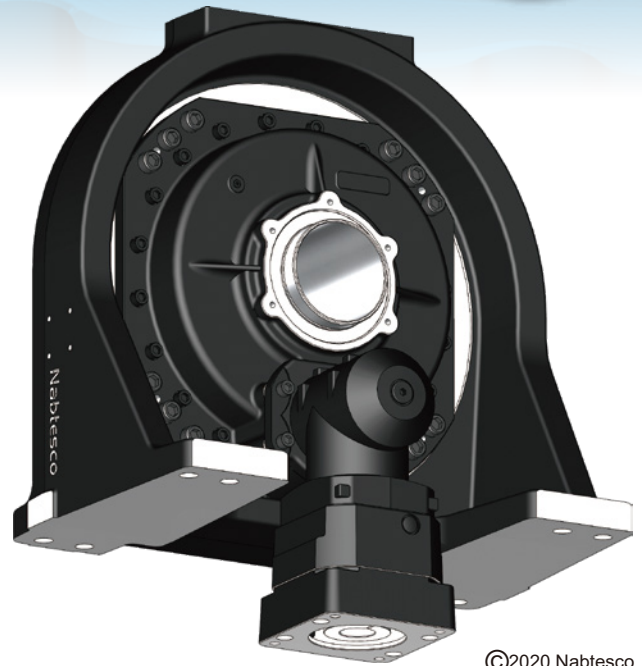
Precision Reduction Gear RV™

Precision gear head

RD2 Foot Type



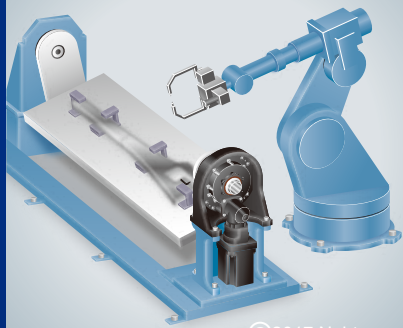
©2020 Nabtesco



©2020 Nabtesco

**The Foot Type is now available for
all models of our acclaimed RD2 series!
Contributes to reduction in manhours for the design,
manufacture and assembly of equipment**

Nabtesco®

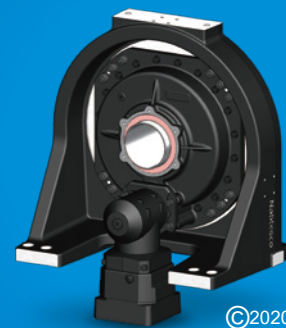


©2017 Nabtesco

RD2 Foot Type

The Foot Type is now available for all models of our RD2 series!

- Easier mounting of any RD2 model on equipment without altering its specifications thanks to the foot type structure
- Three types of input methods (straight, right angle, pulley)
- Solid & hollow
- Compatible with many servomotors



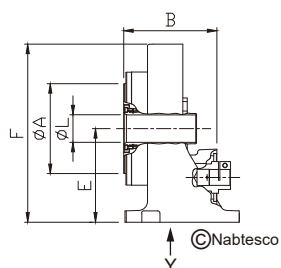
©2020 Nabtesco

RD_E Foot Type DIMENSIONS

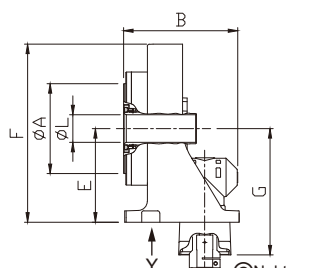
Model: RD_—	006E	020E	040E	080E	160E	320E
A (mm)	86h7	105h6	135h7	160h7	204h7	245h7
B (mm)	RDS	129.9	135.5	182.6	197	216.5
	RDR	178.4	184	229.1	243.5	352.5
	RDP	—	152	194.6	209	257
C (mm)	240	240	250	250	253	380
D (mm)	265	265	335	335	380	425
E (mm)	100	100	210	210	207	265
F (mm)	201.5	201.5	354	354	394	474.5
G (mm) RDR	119.8	119.8	171.5	171.5	222.5	222.5
H (pcs)	4	4	4	4	4	4
I (mm)	17.5	17.5	17.5	17.5	22	22
J (pcs)	2	2	2	2	2	2
K (mm)	10	10	10	10	10	10
L (mm)	—	—	—	—	—	—
Weight (kg)	19	22	52	52	99	171

RD_C Foot Type DIMENSIONS

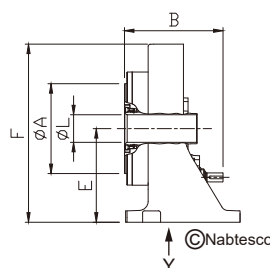
Model: RD_—	010C	027C	050C	100C	200C	320C
A (mm)	110h7	140h7	176h7	199h7	260h7	340h7
B (mm)	RDS	143	152	201.5	246	256.5
	RDR	191.5	200.5	248	252.6	382
	RDP	159.5	168.5	213.5	218.1	286.5
C (mm)	250	250	253	253	390	405
D (mm)	335	335	380	380	550	645
E (mm)	210	210	207	207	295	315
F (mm)	354	354	394	394	557	634.5
G (mm) RDR	180.3	202.8	261.5	279.5	366.5	402.5
H (pcs)	4	4	4	4	8	8
I (mm)	17.5	17.5	22	22	22	22
J (pcs)	2	2	2	2	2	2
K (mm)	10	10	10	10	10	10
L (mm)	25	36	48	61	75	120
Weight (kg)	37	41	70	74	240	343



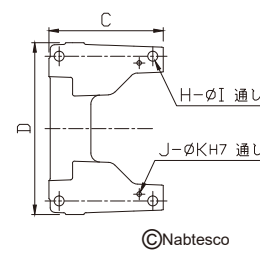
RDS (Straight input type)



RDR (Right angle input type)



RDP (Pulley input type)



Arrow Y

* For specifications of reduction gears, see our website.

Nabtesco®

Nabtesco Corporation

<https://precision.nabtesco.com/>



- Nabtesco and RV are registered trademarks or trademarks of Nabtesco Corporation.
- Specifications are subject to change without notice.
- Unauthorized reprinting, reproduction, copying, or translation of this catalog in whole or in part is strictly prohibited.

©2011 Nabtesco Corporation All rights reserved

CAT.201120-Rev.001_03_A (Issued on November 4, 2022)



Europe and Africa

Nabtesco Precision Europe GmbH (Düsseldorf, Germany)

TEL: +49-211-173790 FAX: +49-211-364677

E-MAIL: info@nabtesco.de

North and South America

Nabtesco Motion Control Inc. (MI, USA)

TEL: +1-248-553-3020 FAX: +1-248-553-3070

E-MAIL: engineer@nabtescomotioncontrol.com

India

Nabtesco India Private Limited (Bangalore, India)

TEL: +91-80-4123-4901 FAX: +91-80-4123-4903

Asia and others

Nabtesco Corporation (Japan)

Nagoya Sales Office

TEL: +81-52-582-2981 FAX: +81-52-582-2987

Customer Support Center

TEL: +81-59-237-4672 FAX: +81-59-237-4697

E-MAIL: P_Information@nabtesco.com